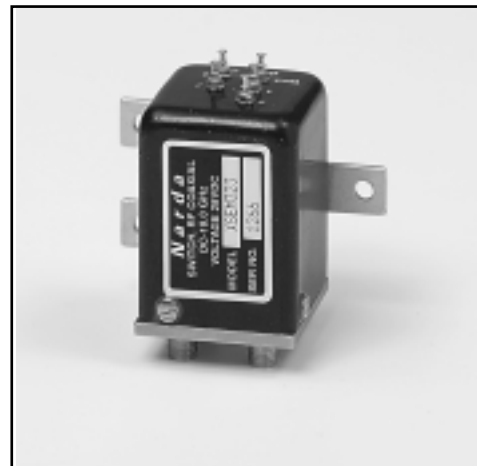


Stocked Transfer Switches

XSEM Series

TRANSFER SWITCHES DC-18 GHz

- 8 Models from Stock
- Standard Features Include:
Fail-safe and Latching Models
TTL Logic Control, Suppression Diodes
- Indicator Circuits Provided With All Models



DC-18 GHz

MODEL NO.	FEATURES	ACTUATING CURRENT mA @28 Vdc & 25°C	FREQUENCY RANGE DC-18 GHz	INSERTION LOSS dB (Max)	VSWR (Max)	ISOLATION dB (Min)
XSEM323	TRANSFER (SMA)	280	DC-3	0.2	1.2:1	80
	FAILSAFE		3-8	0.3	1.3:1	70
	INDICATOR CKT		8-12.4	0.4	1.4:1	60
			12.4-18	0.5	1.5:1	60
XSEM323D	TRANSFER (SMA)	280	DC-3	0.2	1.2:1	80
	FAILSAFE		3-8	0.3	1.3:1	70
	TTL*		8-12.4	0.4	1.4:1	60
	SUPPRESSION DIODES		12.4-18	0.5	1.5:1	60
XSEM323L	TRANSFER (SMA)	200	DC-3	0.2	1.2:1	80
	PULSE LATCHING		3-8	0.3	1.3:1	70
	INDICATOR CKT		8-12.4	0.4	1.4:1	60
			12.4-18	0.5	1.5:1	60
XSEM323LD XSEM323LD-24	TRANSFER (SMA)	200	DC-3	0.2	1.2:1	80
	PULSE LATCHING		3-8	0.3	1.3:1	70
	TTL*	275 @ 24V	8-12.4	0.4	1.4:1	60
			12.4-18	0.5	1.5:1	60

DC-12.4 GHz

MODEL NO.	FEATURES	ACTUATING CURRENT mA @24 Vdc & 25°C	FREQUENCY RANGE DC-12.4 GHz	INSERTION LOSS dB (Max)	VSWR (Max)	ISOLATION dB (Min)
XSEM323N-24**	TRANSFER (N)	425 @ 24V	DC-3	0.2	1.2:1	80
	FAILSAFE		3-8	0.35	1.35:1	70
	INDICATOR CKT		8-12.4	0.5	1.5:1	60
XSEM323LDN-24**	TRANSFER (N)	425 @ 24V	DC-3	0.2	1.2:1	80
	PULSE LATCHING		3-8	0.35	1.35:1	70
	INDICATOR CKT		8-12.4	0.5	1.5:1	60
	SUPPRESSION DIODES					
TTL*						

*APPLIES TO ALL SWITCHES WITH TTL:

1. Selected position of the switch is controlled by TTL logic High
2. Switch required only nominal +28 Vdc for coils (additional 5 Vdc is not required).

3. TTL Logic Level: Low 0 to 0.8Vdc High .5to 5.0 Vdc
4. TTL Logic Input Current: Low 0 mA High 1.6 mA max @ 3.85 Vdc

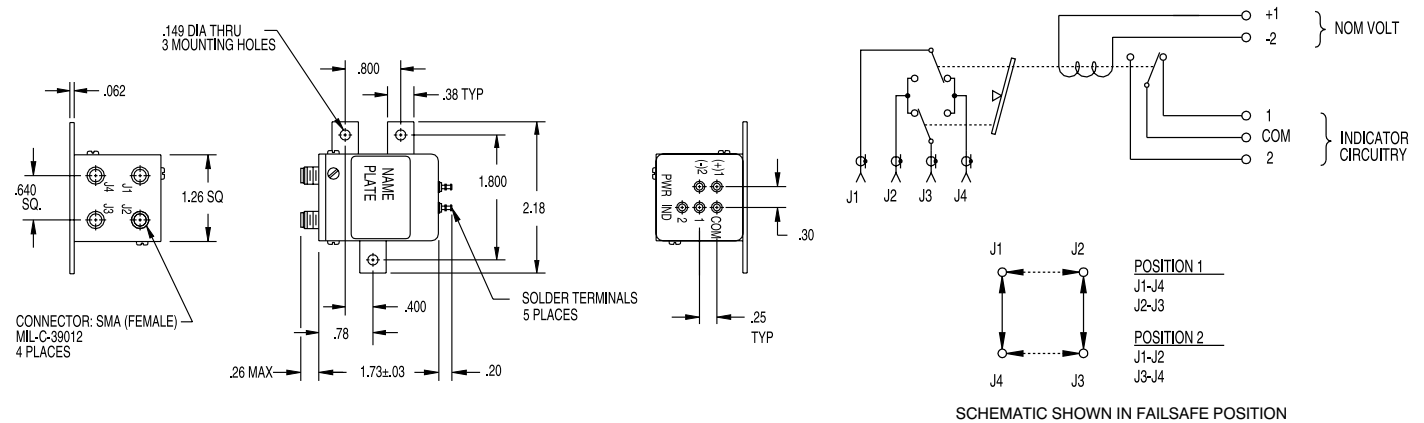
** Consult Factory.

Stocked Transfer Switches

DC-1 GHz

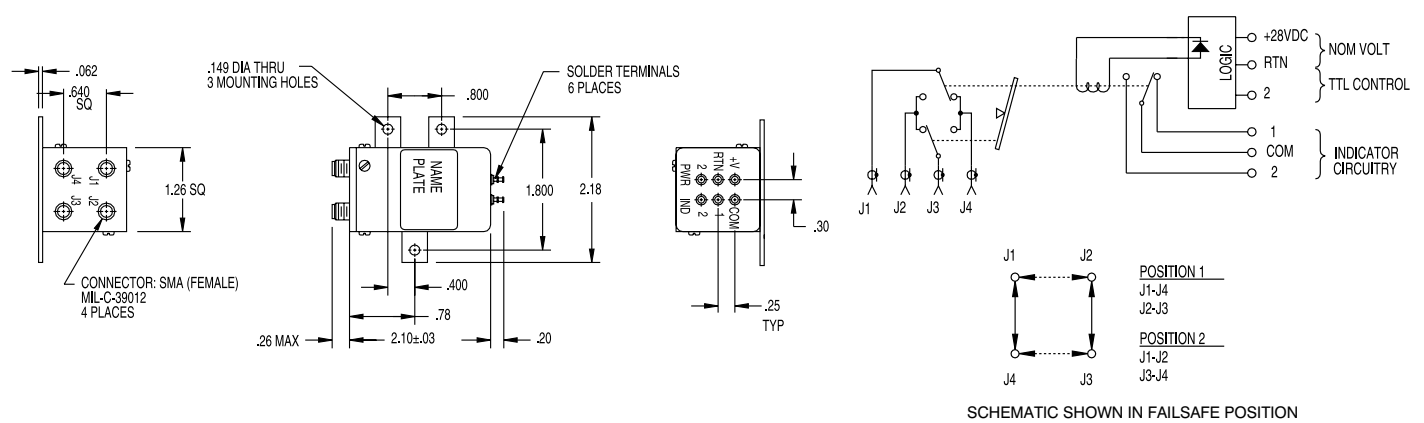
MODEL NO.	FEATURES	ACTUATING CURRENT mA @24 Vdc & 25°C	FREQUENCY RANGE DC-1 GHz	INSERTION LOSS dB (Max)	VSWR (Max)	ISOLATION dB (Min)
XSEM329	TRANSFER (BNC) FAILSAFE INDICATOR CKT	70	DC-1	.30	1.35:1	50

XSEM323



SCHEMATIC SHOWN IN FAILSAFE POSITION

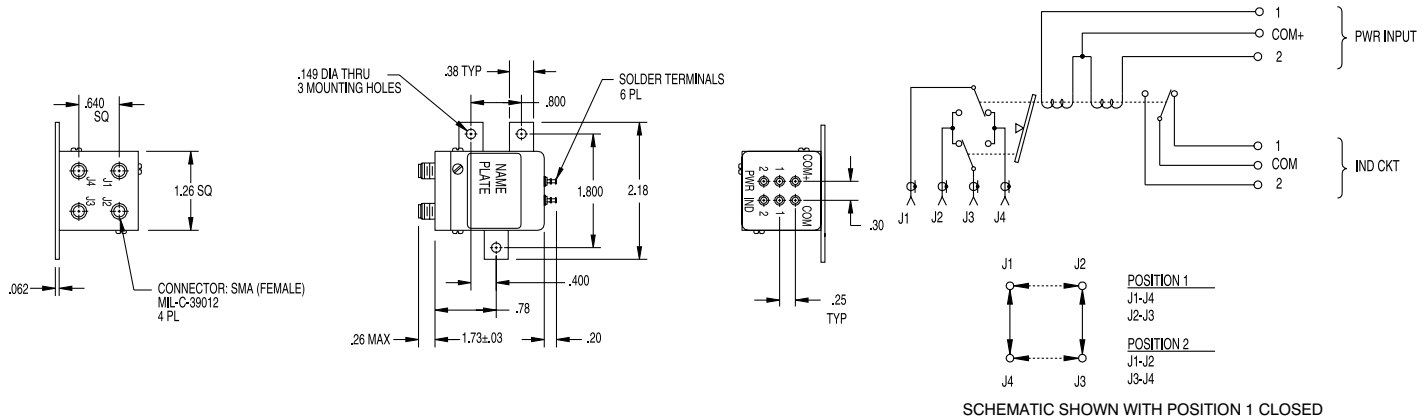
XSEM323D



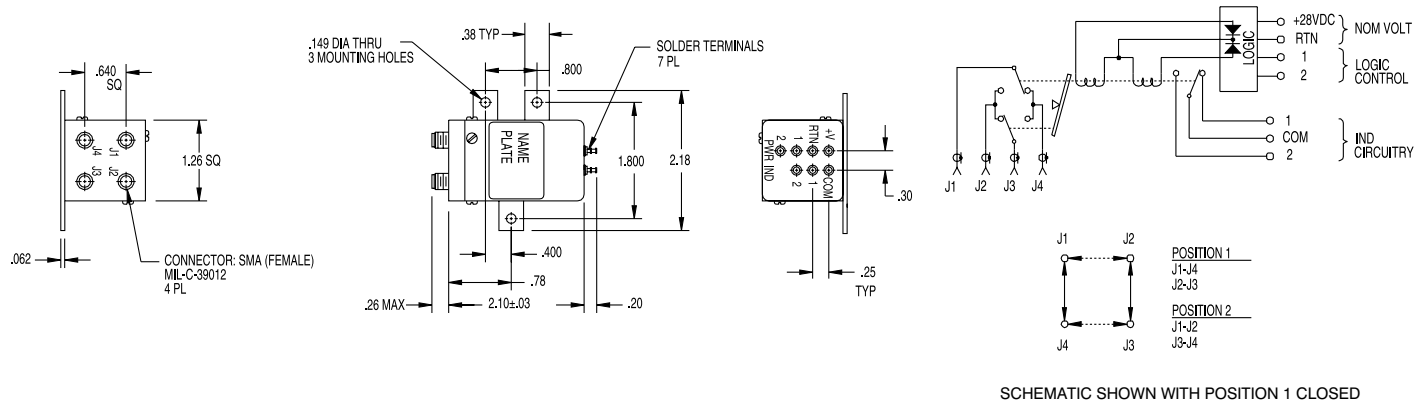
SCHEMATIC SHOWN IN FAILSAFE POSITION

Stocked Transfer Switches

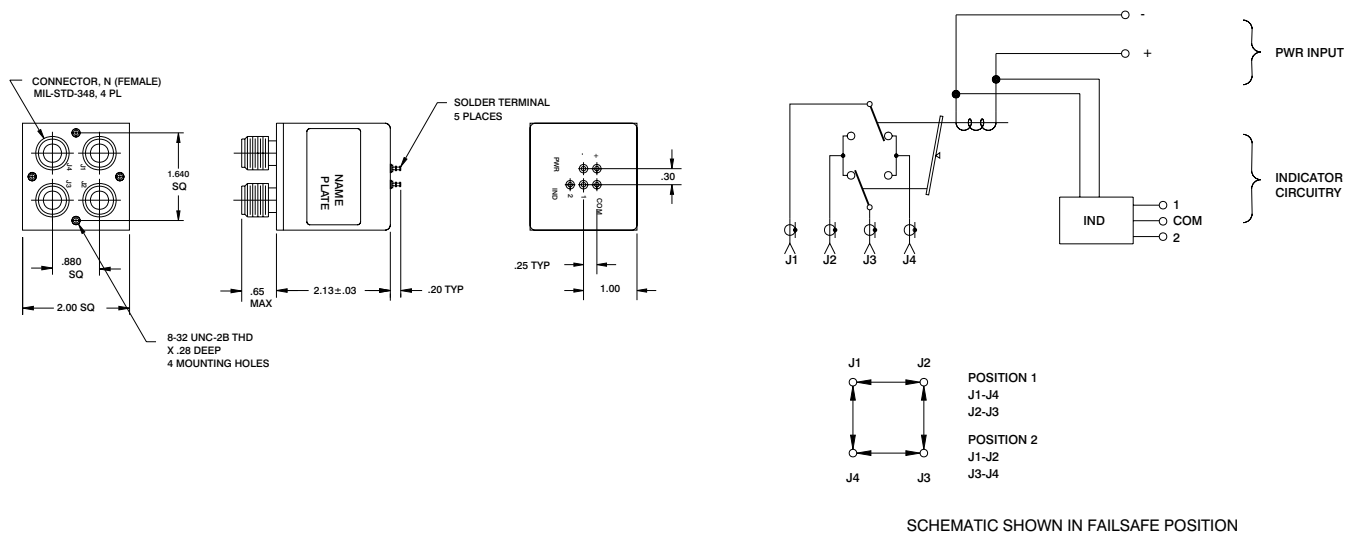
XSEM323L



XSEM323LD XSEM323LD-24

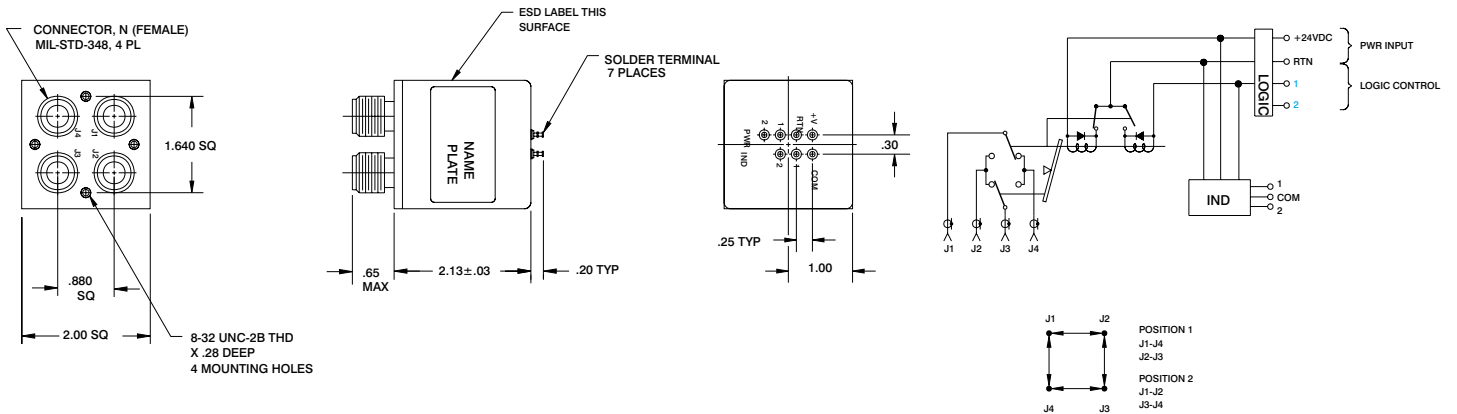


XSEM323N-24



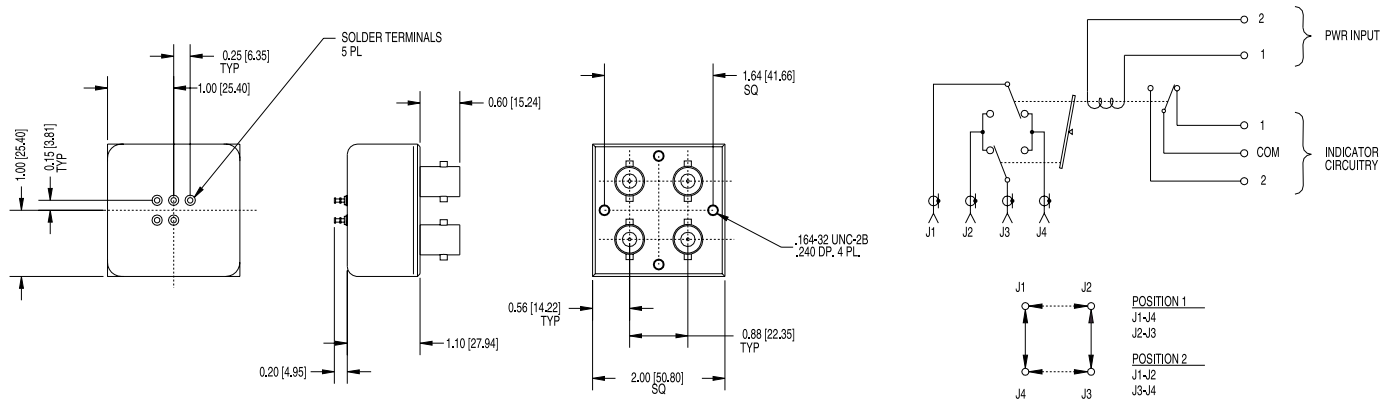
Stocked Transfer Switches

XSEM323LDN-24



SCHEMATIC SHOWN WITH POSITION 1 CLOSED

XSEM329



SCHEMATIC SHOWN IN FAILSAFE POSITION